



Marine diesel generators and diesel electric propulsion





Simply Marine **Power**

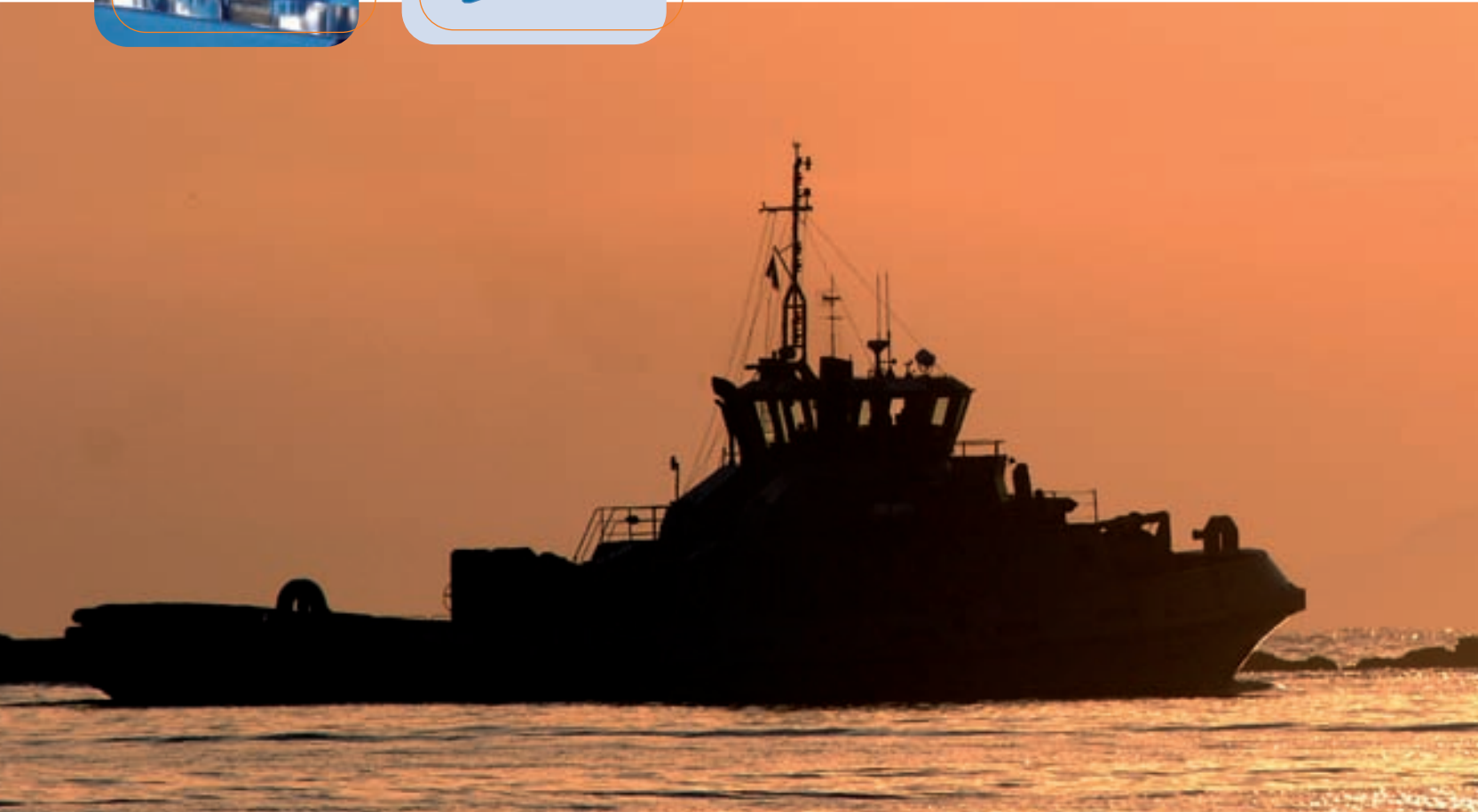


- For almost a century Moteurs Baudouin is the specialist in the marine mechanical and electrical power generation. As propulsion engines derivatives, our marine generators guarantee their proven reliability, availability and performance in the most severe conditions related to your business.

Our extended range from 68 to 700 kWe (PRP) – 50 and 60 Hz dedicated to diesel electric propulsion, auxiliary and stand-by marine generator sets applications, builds your One Stop Shop solution with Moteurs Baudouin. Guided by our constant seek for customer operational performance, our efforts lead to a high marine generator range standardization level also implemented in our engines components interchangeability program.

Your benefits

- The marine expert partner choice
- Prime movers standardization simplifying your logistic and operational management
- Performance and durability acquired with our experience in the most severe marine utilization
- Environment friendly with simple, economical and maintenance effective solutions
- Our Worldwide authorized Network expertise in advice and service



Definitions & standards

Certifications

IMO Tier 2 MARPOL 73/78 - CCNR Tier 2
- CE 97/68 Phase IIIA certified

Our marine diesel generators are complying with the main certification societies (ABS, BV, CCS, DNV, GL, LRS, RINA, RMRS...)

Power definition

Standard ISO 3046/1 - 1995 (F)

Reference conditions

Ambient	25 °C / 77 °F
Barometric pressure	100 kPa
Relative humidity	30 %
Sea water temperature	25 °C / 77 °F

Fuel oil

Relative density	0,840 ±
0,005	
Lower calorific power	42 700 kJ/kg
Consumption tolerances	0 + 8 %
Air inlet limit temperature	35 °C / 95 °F

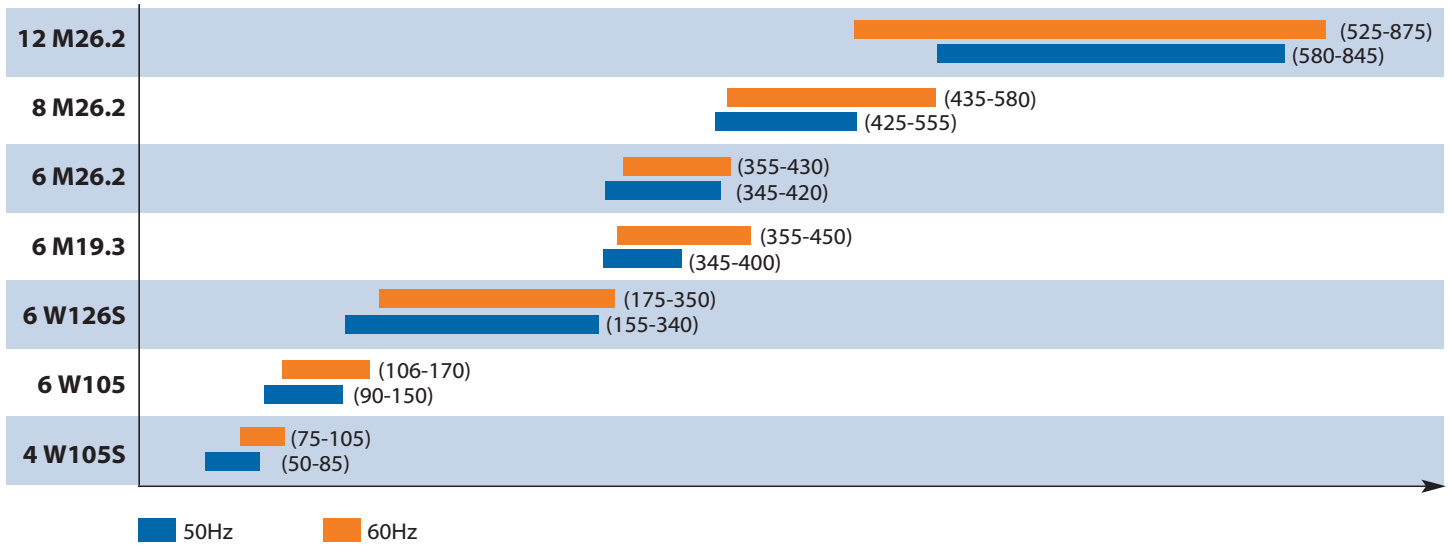
Electrical Power

Power in KVA declared at pf 0.8

Our rating also comply with classification societies maximum temperature definition without power derating:

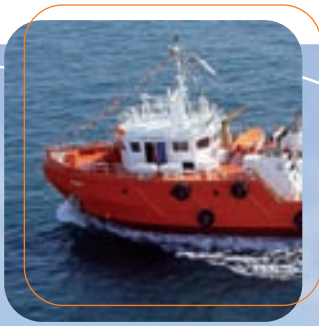
- Ambient temperature: **45 °C / 113 °F**
- Sea water temperature: **32 °C / 90 °F**

Auxiliary gensets range

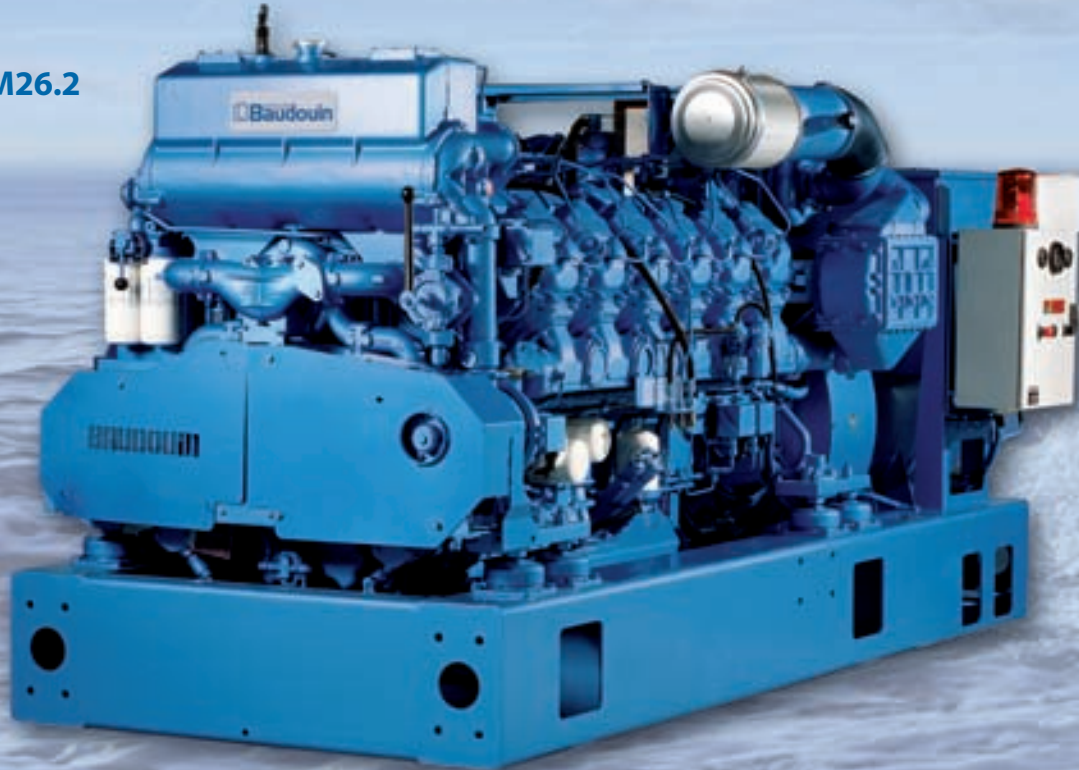


Class of duty

	COP	PRP	LTP
Application	unrestricted continuous	prime power (continuous)	limited (stand-by)
Load variations (250 hours average)	unrestricted	≤ 75% of rated power	≤ 85% of rated power
Operating time at rated power	unrestricted	≤ 500 hours / year	≤ 25 hours / year
Running time	unrestricted	unrestricted	500 hours / year
Overload	10%: 1 hour / 12 hours	10%: 1 hour / 12 hours	no overload



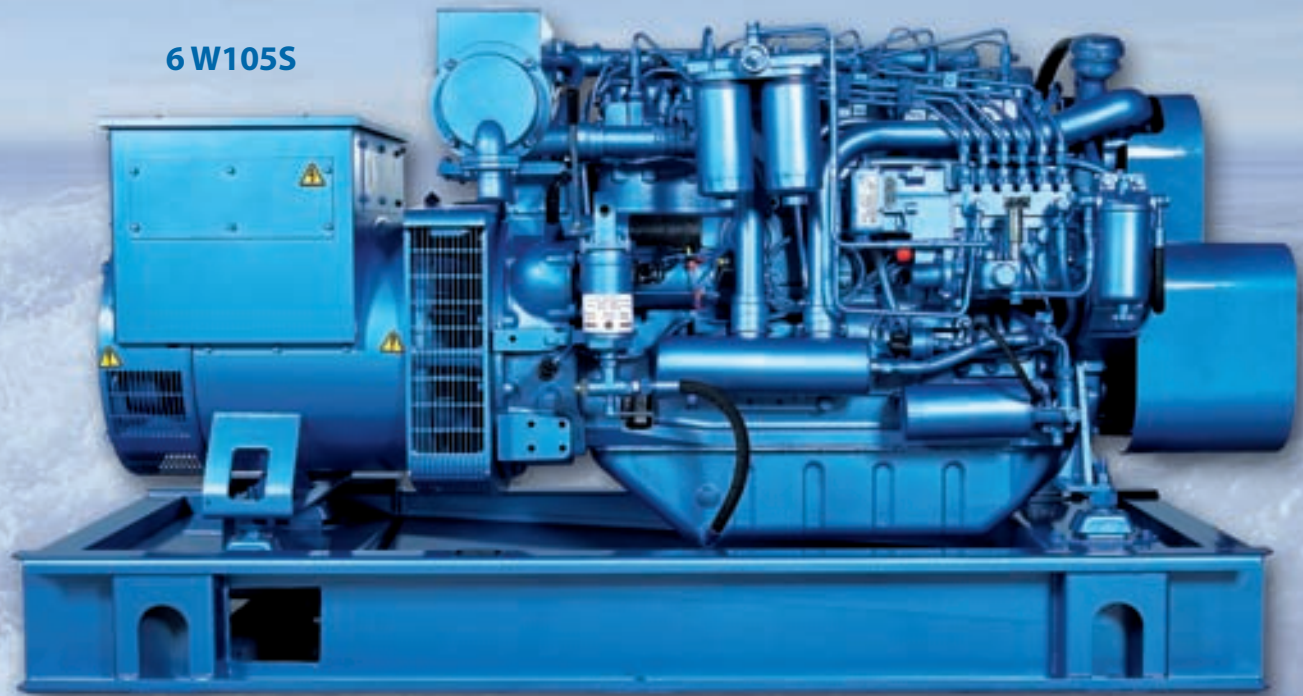
12 M26.2



The **power** when needed

Our Standard Generator Overall features

- Frequency 50 and 60 Hz / 4 poles
- Electronic speed control unit
- Insulated neutral
- Insulation – Heating class H/H
- Brushless, excitation AREP
- IP 23 protection
- Voltage regulation +/- 0,5% steady state
- Flanged type generator resilient mounted on common baseframe
- Baseframe mounted control panel
- Marine winding impregnation for relative humidity ambient conditions 95% max
- Space heater



6 W105S

Options

A wide range of engines and alternators options completes our offer to provide the power matching your installation configuration and specific running conditions.

Some examples

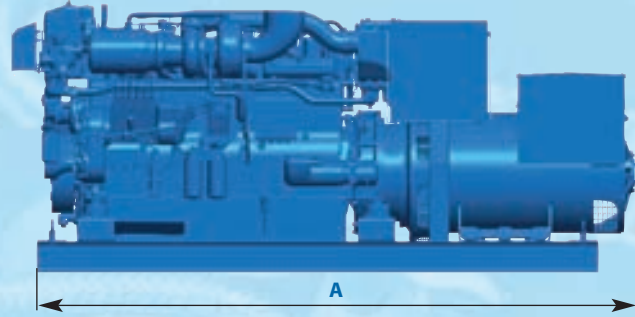
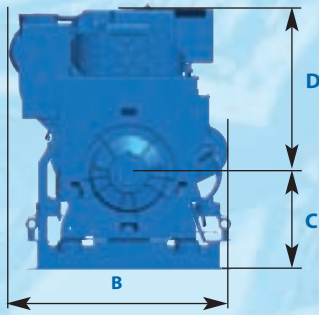
- Engine front end PTO
- Wet exhaust by water injection
- Keel or box cooling engine configuration
- Choice of various insulation/heating classes
- U.M.S. equipments according to Classification Societies requirement

Please contact us for more details on Moteurs Baudouin optional equipments.

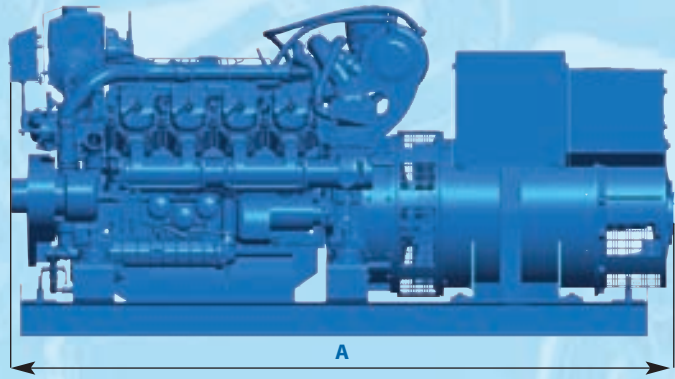
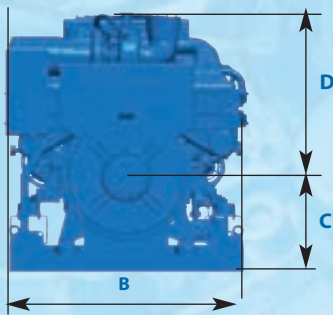
Nominal power

		COP		PRP		Fuel Consumption (100% PRP) g/kWh
		kWe	KVA	kWe	KVA	
4 W105S	50 Hz	68	85	68	85	194
	60 Hz	84	105	84	105	198
6 W105S	50 Hz	120	150	120	150	193
	60 Hz	136	170	136	170	204
6 W126S	50 Hz	272	340	272	340	198
	60 Hz	280	350	280	350	205
6 M19.3	50 Hz	320	400	320	400	199
	60 Hz	360	450	360	450	202
6 M26.2	50 Hz	304	380	336	420	194
	60 Hz	344	430	344	430	198
8 M26.2	50 Hz	400	500	444	555	210
	60 Hz	464	580	464	580	217
12 M26.2	50 Hz	613	765	676	845	196
	60 Hz	700	875	700	875	199

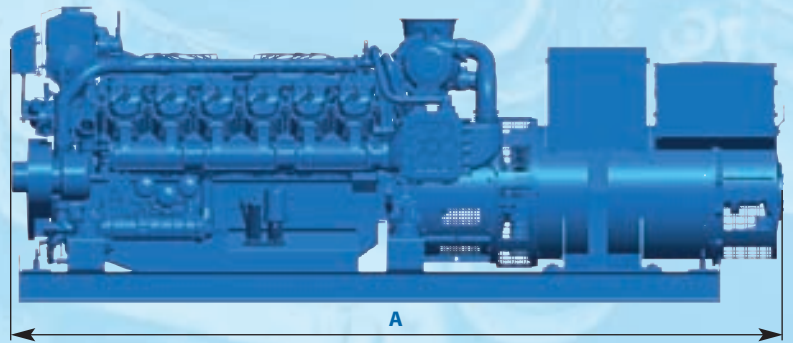
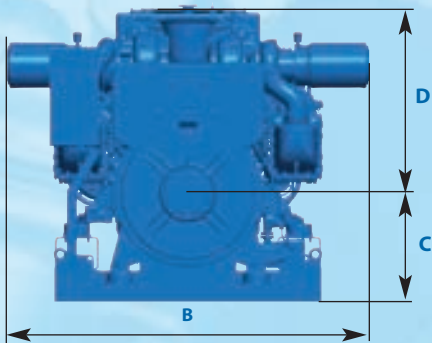
6 M26.2



8 M26.2



12 M26.2



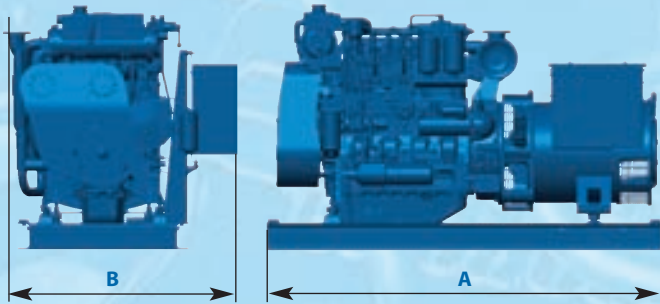
Prime mover

- 4 strokes marine diesel engines, direct injection.

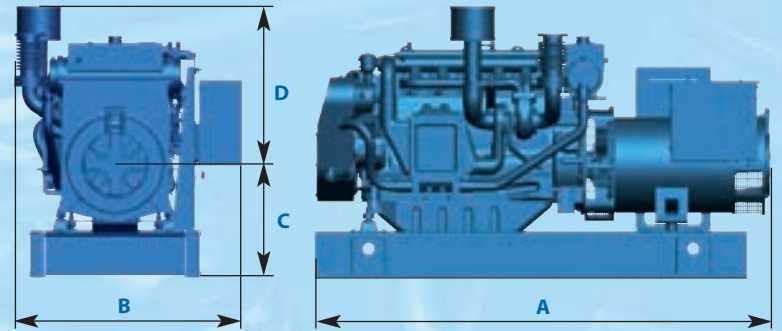
	4 W105S	6 W105S	6 W126S	6 M19.3	6 M26.2	8 M26.2	12 M26.2
Number of cylinders	4 in line		6 in line		6 in line, 8 and 12 in Vee		
Bore and stroke	105 x 130 mm	105 x 130 mm	126 x 155 mm	126 x 155 mm	150 x 150 mm		
Total displacement	4,50 l	6,75 l	11,56 l	11,56 l	15,9 l	21,2 l	31,8 l
Engine rotation	CCW* (ISO 1204 standard)				CCW* (ISO 1204 standard)		
Idle speed	650 rpm		600 rpm		700 rpm		
Flywheel housing	SAE 3	SAE 3	SAE 1	SAE 1	SAE 1	SAE 0	
Flywheel	SAE 11,5"	SAE 11,5"	SAE 14"	SAE 14"	SAE 14"		SAE 18"

*CCW: counter-clockwise.

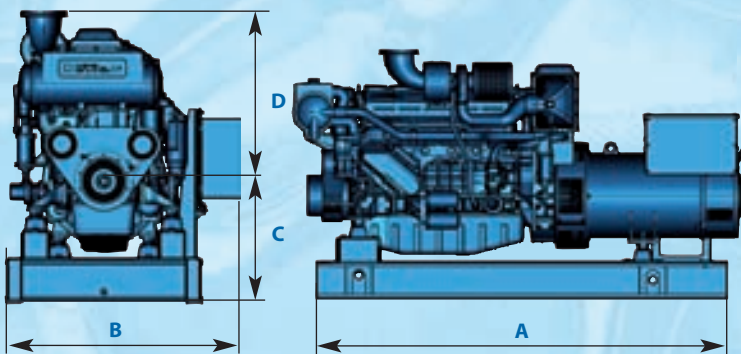
4 W105S



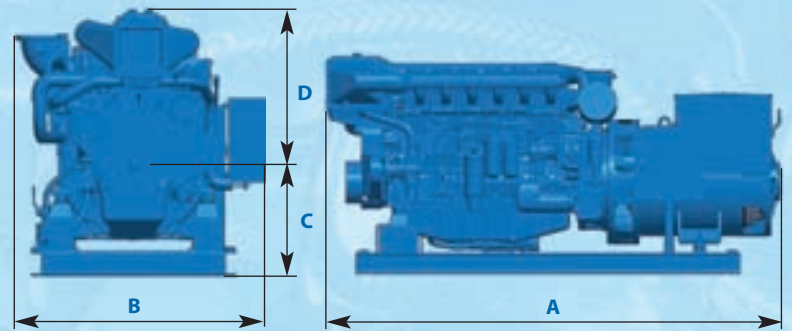
6 W105S



6 W126S



6 M19.3



Main dimensions and weights

	50Hz	60Hz	A	B	C	D	Weight (kg)
4 W105S	85	105	1680	1060	530	738	1100
6 W105S	100 to 150	120 to 170	2109	1059	527	734	1500
6 W126S	170 to 260	205 to 300	2585	1178	613	857	2145
	270 to 340	325 to 350	2727	1184	613	857	2371
6 M19.3	400	450	2604	1208	528	742	2470
6 M26.2	420	-	3174	1237	509	828	3038
	-	430	2869	1237	509	828	2911
8 M26.2	555	-	2986	1597	554	920	3920
	-	580	2890	1597	554	920	3867
12 M26.2	845	-	3870	1828	554	871	5385
	-	875	3876	1828	554	871	5245



Moteurs Baudouin

service values

Wherever you are sailing in the world, Moteurs Baudouin is at your side. Our international marine experts is supporting you **over the 5 continents (95 countries)**. Their mission, to guaranty your equipment optimized performances through its life cycle. More than simple service, Moteurs Baudouin provides a wide range of customized support solutions that fits to your personal needs.

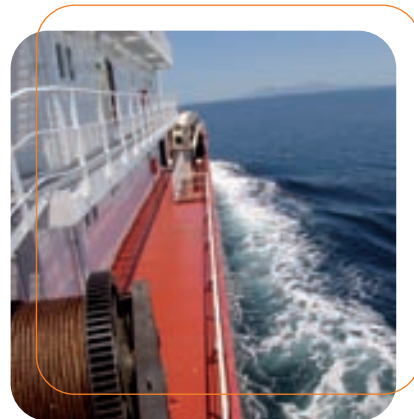
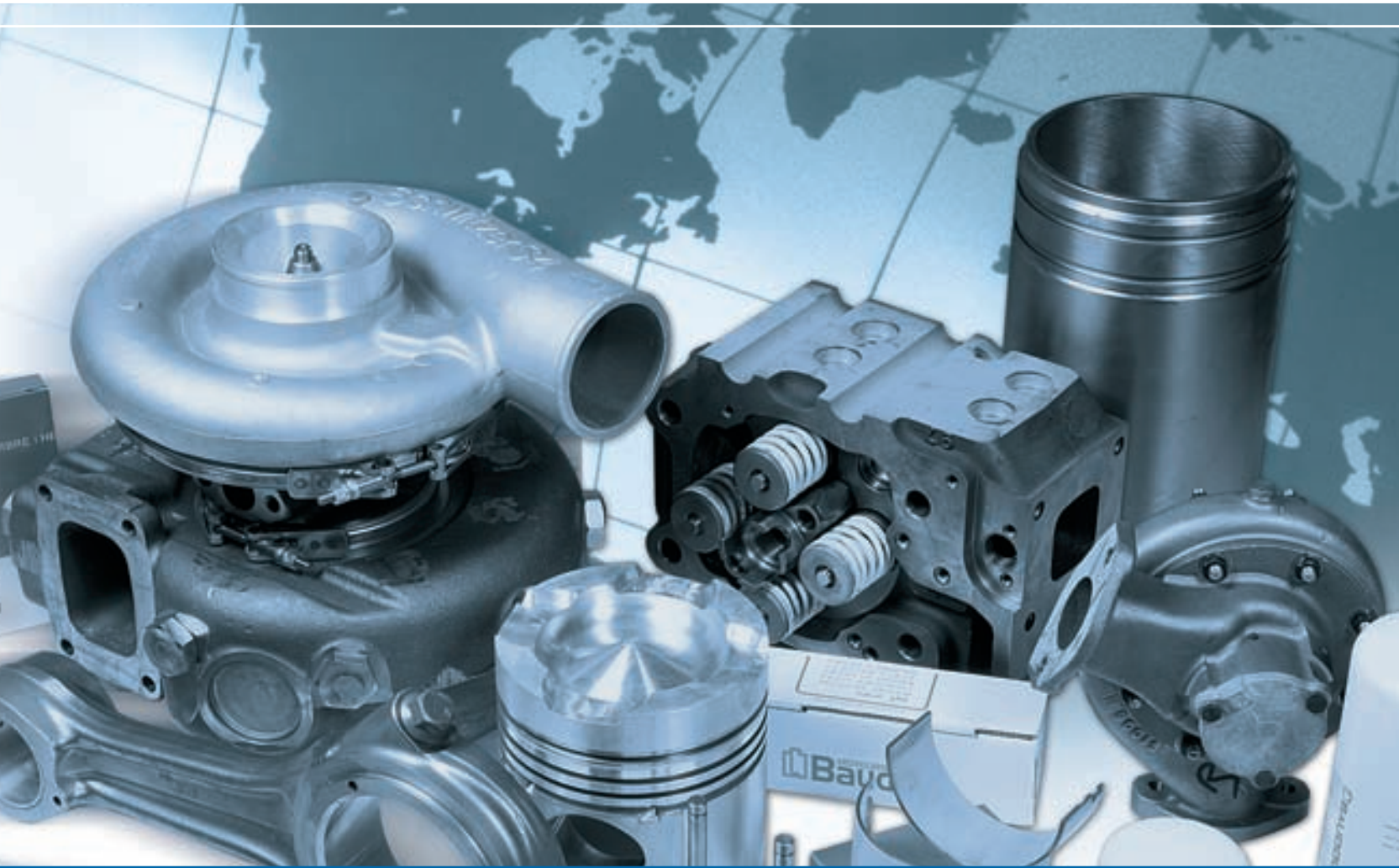
Our standard

- Commissioning and technical support
- Standard warranty on equipments and accessories
- Spare parts availability at your door
- Documentation and information bulletin
- From standard to general overhaul
- Engines components reconditioning

Our tailor made options

- Factory performance tests
- Warranty extension
- Diagnostic and preventive recommendations report
- Medium to long term service agreement
- Multi level training program
- Engines reconditioning

Please contact our Moteurs Baudouin local service network for further information about our service values.





■ e x p r i m e n t n ° 04 42 875 875 - r e c a t x 89 8 541

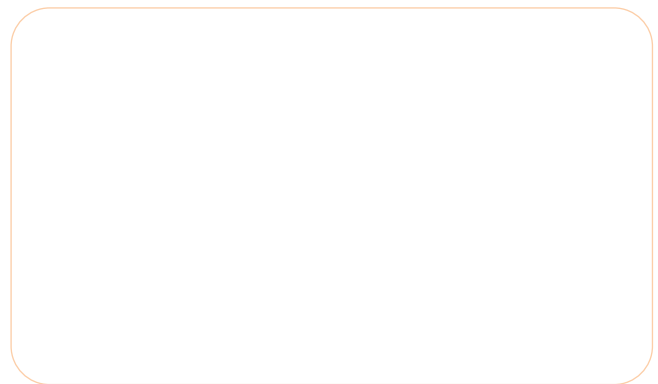
Photos credit : Claude Almodovar and Jean-Noël Lanthiez (Photonic)

Société Internationale des Moteurs Baudouin

Technoparc du Brégadan - 13260 Cassis - France
tel. + 33 488 688 500 - fax + 33 488 688 501

www.moteurs-baudouin.com

Moteurs Baudouin® is a registered trademark.



April 2013 Edition

